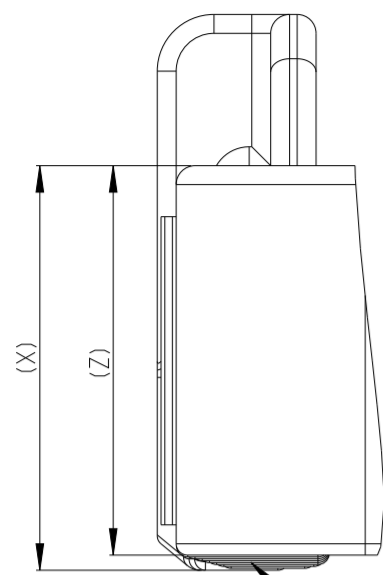
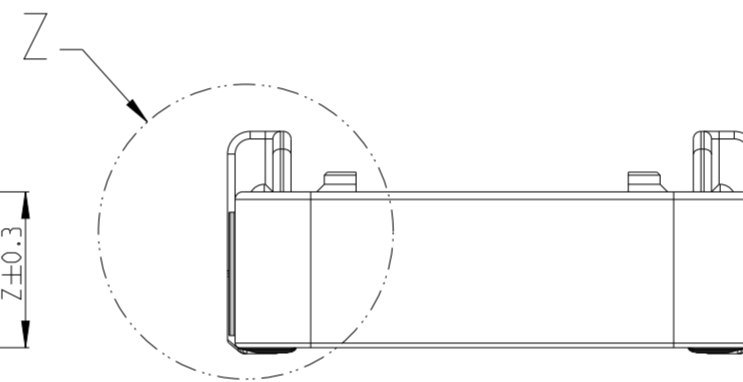
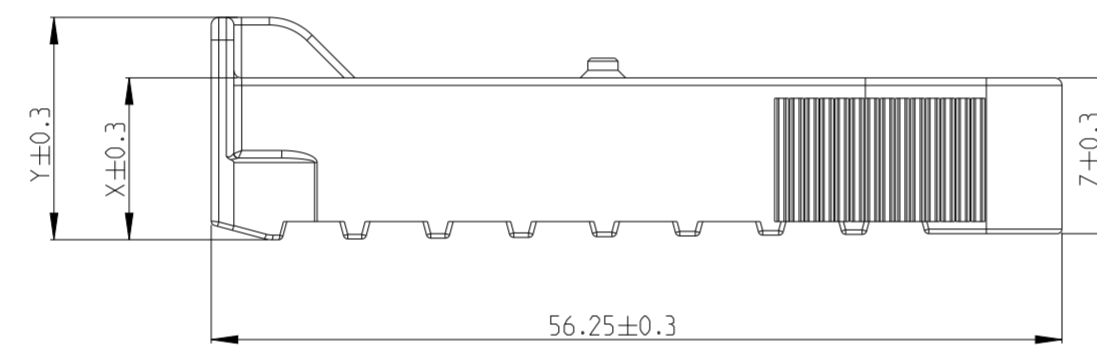
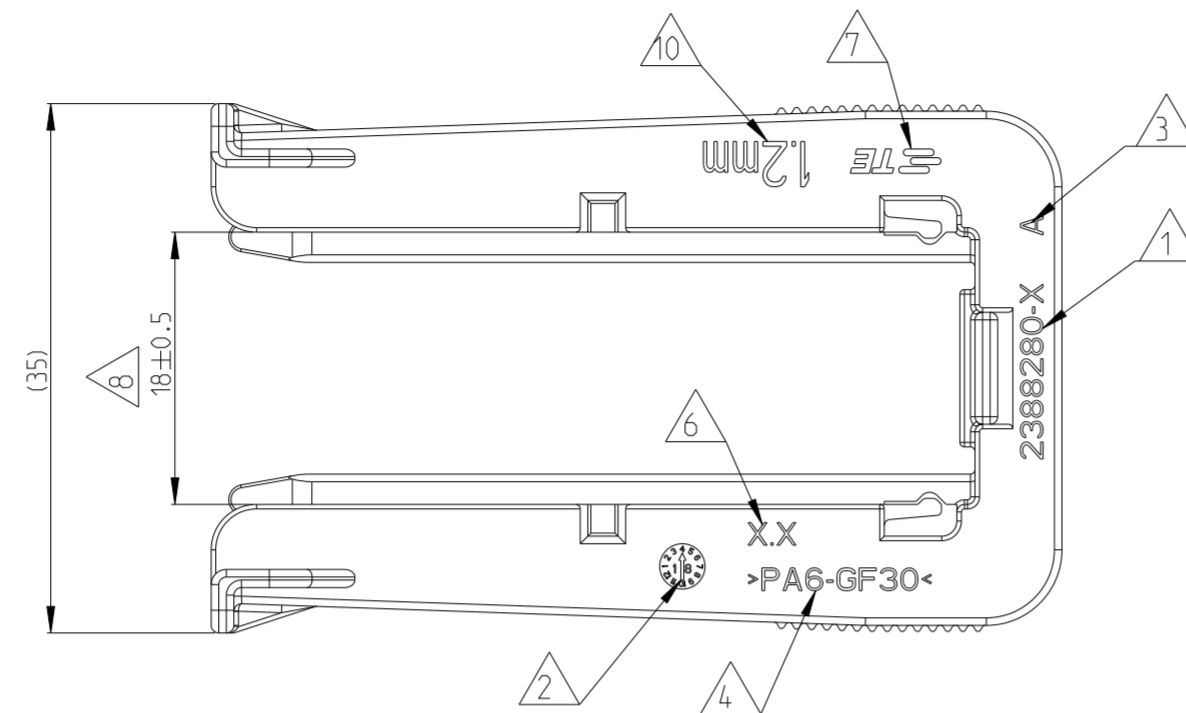


P	LTR	DESCRIPTION	DATE	DWN	APVD
A		INITIAL RELEASE	12APR2021	J.S	I.Y
A1		ECN-21-117700	15SEP2021	J.S	Z.Z

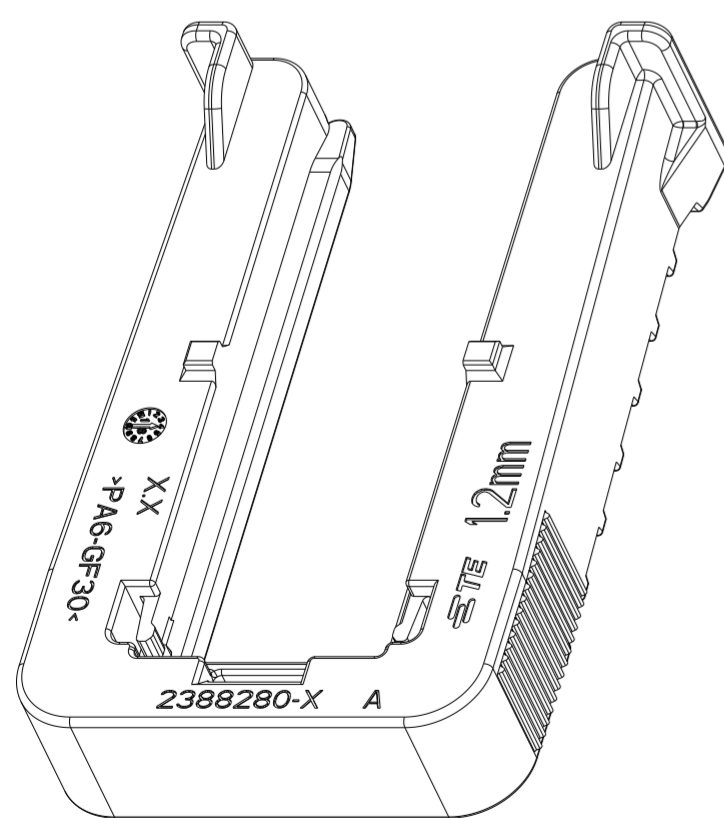
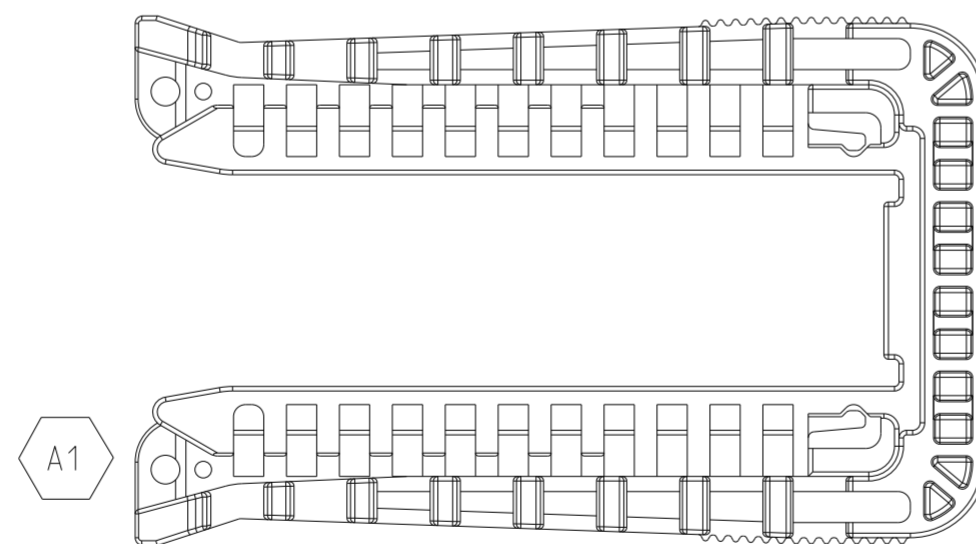
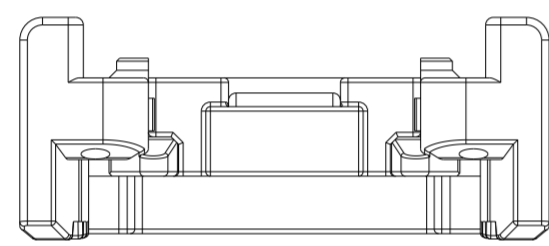


GEOMETRY GRADUALLY INCREASING FROM DIMENSION "Z" TO "X".

DETAIL Z  
SCALE 5:1



1. MATERIAL : PA6-GF30 V-0 OR EQUIVALECE RESIN.
- 2 PRODUCT DATE
- 3 LETTER-INSERTFOR THE REVISION STATUS OF THE MOULD
- 4 MATERIAL MARKING ACCORDING TO VDA260
5. BULK PACKAGING IN CORRUGATED BOX
- 6 MOULD CAVITY MARKING
- 7 TE LOGO
- 8 WARGAGE PERMITTED UP TO -1.5MM FROM NOMINAL SIZE
9. SUITABLE FOR TAB HOUSING WITH FLANGE GROUP E, SEE PRODUCT GROUP DRAWING 1563709.
- 10 MARKING FOR SUITABLE SHEET METEAL THICKNESS(NOMINAL SIZE)



2388280-1 AS SHOWN

2388280-7	A	SLIDER 3.5MM	GREY	8.4	12.4	8.0	8.1
2388280-6	A	SLIDER 3MM	YELLOW	8.9	12.6	8.5	8.4
2388280-5	A	SLIDER 2.5MM	RED	9.4	13.4	9.0	8.6
2388280-4	A	SLIDER 2MM	VIOLET	9.9	13.9	9.5	8.9
2388280-3	A	SLIDER 1.6MM	GREEN	10.3	14.3	9.9	9.1
2388280-2	A	SLIDER 1.5MM	GREY	10.4	14.4	10.0	9.2
2388280-1	A	SLIDER 1.2MM	ORANGE	10.7	14.7	10.3	9.3
PART NO	REV.	DESCRIPTION	COLOUR	DIM X	DIM Y	DIM Z	WEIGHT [g]

THIS DRAWING IS A CONTROLLED DOCUMENT.

DWN	J.SHANG	25MAR2021
CHK	C.WAN	25MAR2021
APVD	I.YIN	25MAR2021

**STE** TE Connectivity

NAME: SLIDER GROUP E,TAB HOUSING

PRODUCT SPEC: 108-94020

APPLICATION SPEC: 114-18756

MATERIAL: PA6-GF30 V-0

FINISH: -

WEIGHT: SEE TABLE A2

RESTRICTED CUSTOMER

SIZE: A2

CAGE CODE: 00779

DRAWING NO: C-2388280

RESTRICTED TO: -

SCALE: 1:1

SHEET: 1 OF 1

REV: A1

# Mouser Electronics

Authorized Distributor

Click to View Pricing, Inventory, Delivery & Lifecycle Information:

[TE Connectivity:](#)

[2388280-5](#)