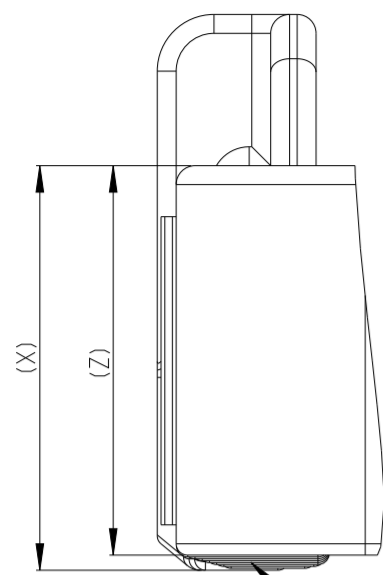
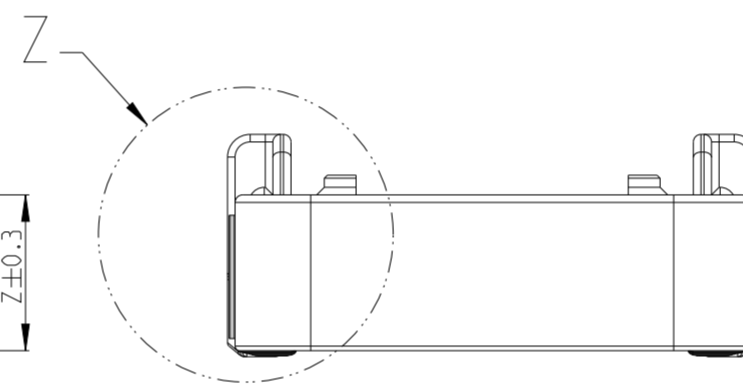
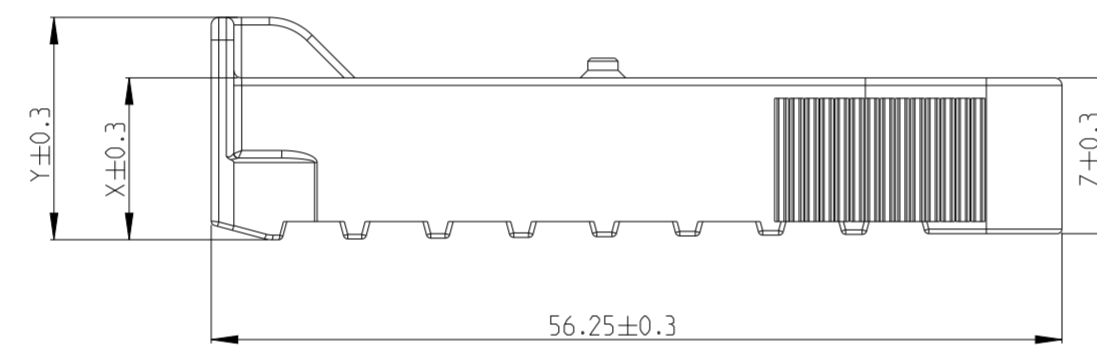
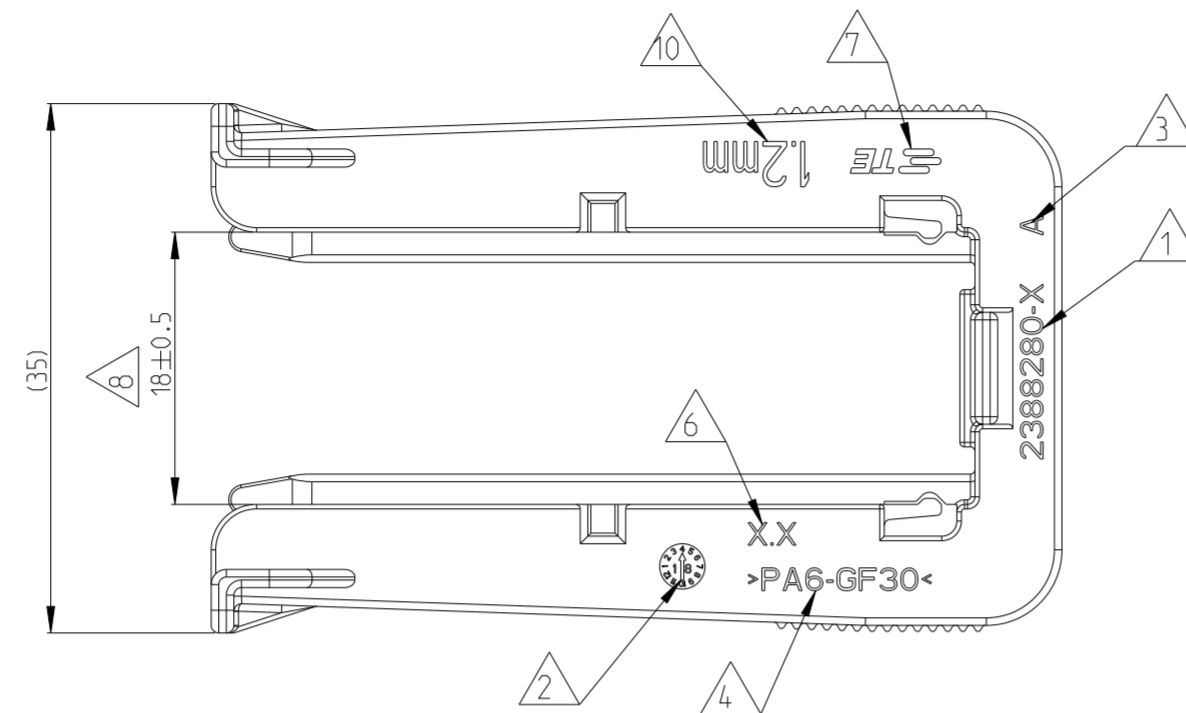


P	LTR	DESCRIPTION	DATE	DWN	APVD
A		INITIAL RELEASE	12APR2021	J.S	I.Y
A1		ECN-21-117700	15SEP2021	J.S	Z.Z

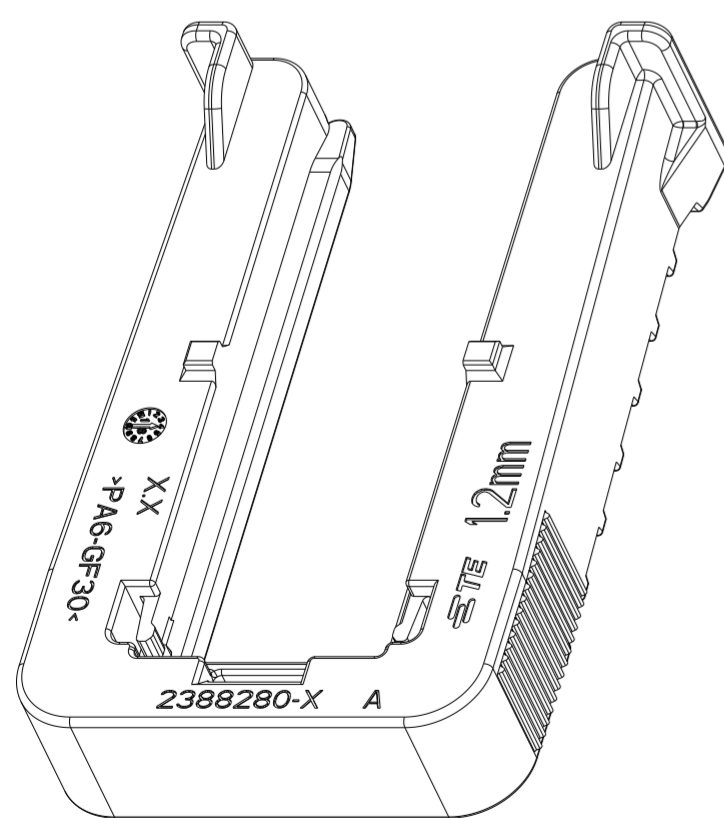
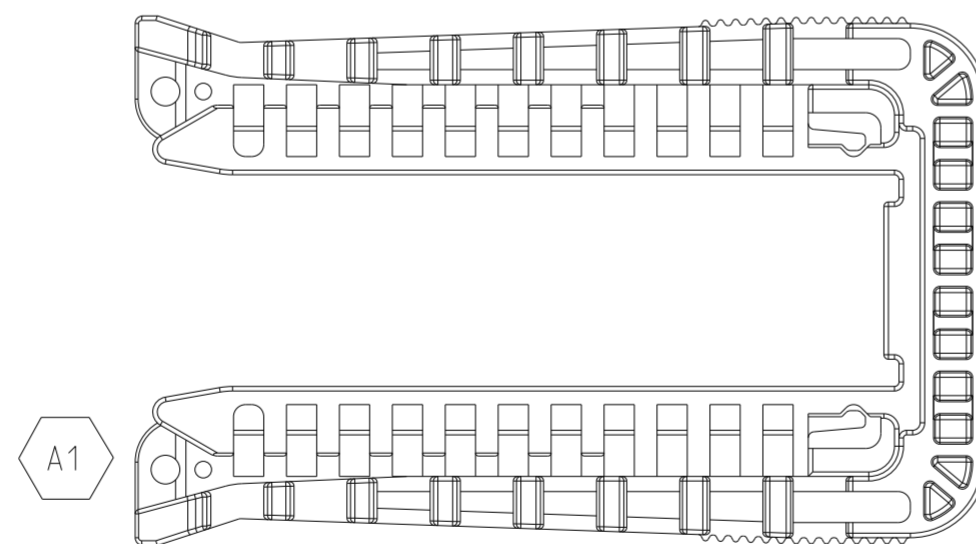
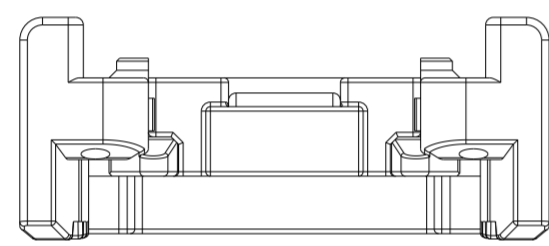


GEOMETRY GRADUALLY INCREASING FROM DIMENSION "Z" TO "X".

DETAIL Z
SCALE 5:1



1. MATERIAL : PA6-GF30 V-0 OR EQUIVALECE RESIN.
2. PRODUCT DATE
3. LETTER-INSERTFOR THE REVISION STATUS OF THE MOULD
4. MATERIAL MARKING ACCORDING TO VDA260
5. BULK PACKAGING IN CORRUGATED BOX
6. MOULD CAVITY MARKING
7. TE LOGO
8. WARGAGE PERMITTED UP TO -1.5MM FROM NOMINAL SIZE
9. SUITABLE FOR TAB HOUSING WITH FLANGE GROUP E, SEE PRODUCT GROUP DRAWING 1563709.
10. MARKING FOR SUITABLE SHEET METEAL THICKNESS(NOMINAL SIZE)



2388280-1 AS SHOWN

2388280-7	A	SLIDER 3.5MM	GREY	8.4	12.4	8.0	8.1
2388280-6	A	SLIDER 3MM	YELLOW	8.9	12.6	8.5	8.4
2388280-5	A	SLIDER 2.5MM	RED	9.4	13.4	9.0	8.6
2388280-4	A	SLIDER 2MM	VIOLET	9.9	13.9	9.5	8.9
2388280-3	A	SLIDER 1.6MM	GREEN	10.3	14.3	9.9	9.1
2388280-2	A	SLIDER 1.5MM	GREY	10.4	14.4	10.0	9.2
2388280-1	A	SLIDER 1.2MM	ORANGE	10.7	14.7	10.3	9.3
PART NO	REV.	DESCRIPTION	COLOUR	DIM X	DIM Y	DIM Z	WEIGHT [g]

THIS DRAWING IS A CONTROLLED DOCUMENT.

DWN	J. SHANG	25MAR2021
CHK	C. WAN	25MAR2021
APVD	J. YIN	25MAR2021

STE TE Connectivity

NAME: SLIDER GROUP E, TAB HOUSING

PRODUCT SPEC: 108-94020

APPLICATION SPEC: 114-18756

MATERIAL: PA6-GF30 V-0

FINISH: -

WEIGHT: SEE TABLE A2

RESTRICTED CUSTOMER

SIZE: A2

CAGE CODE: 00779

DRAWING NO: C-2388280

RESTRICTED TO

SCALE: 1:1

SHEET: 1 OF 1

REV: A1

Mouser Electronics

Authorized Distributor

Click to View Pricing, Inventory, Delivery & Lifecycle Information:

[TE Connectivity:](#)

[2388280-3](#)